

App Note 303: DS2151, DS2153 Interfacing to the ADSP-2181

Application note 303 provides information on connecting the DS2151 and DS2153 single chip transceivers (SCTs) to a 16-bit DSP: the Analog Devices ADSP2181.

Interconnections between the DS2151 or DS2153 parallel port and the Analog Devices ADSP-2181 non-multiplexed I/O port are shown in Figure 1. Refer to the "Interfacing to a Non-Multiplexed Bus" application note for further information.

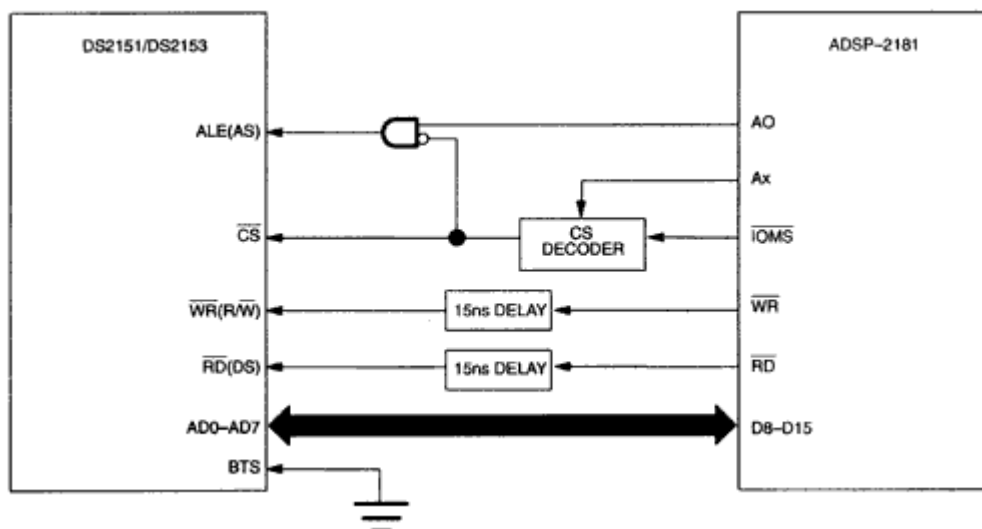


Figure 1. Transceiver - ADSP2181 Interconnections